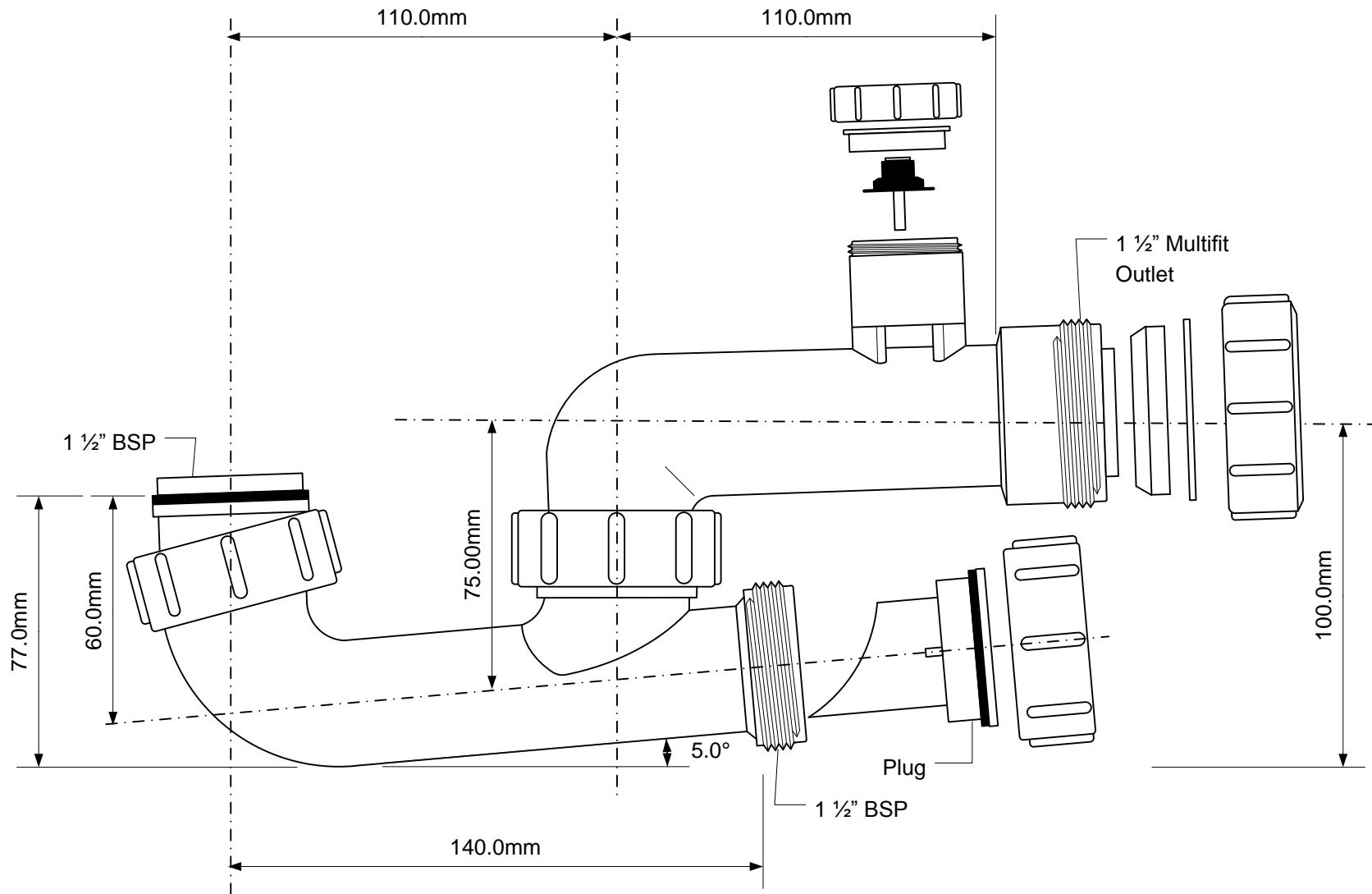


Code:

SM10V



Water Seal: 50mm

©
McALPINE

Drawing verified correct as of:

24.01.13
T.C.

DRAWN BY

RM

REVISED

Check sizes 24.01.13

FILENAME

SM10V.VSD

SCALE

1: 1.75

DATE

24.01.13